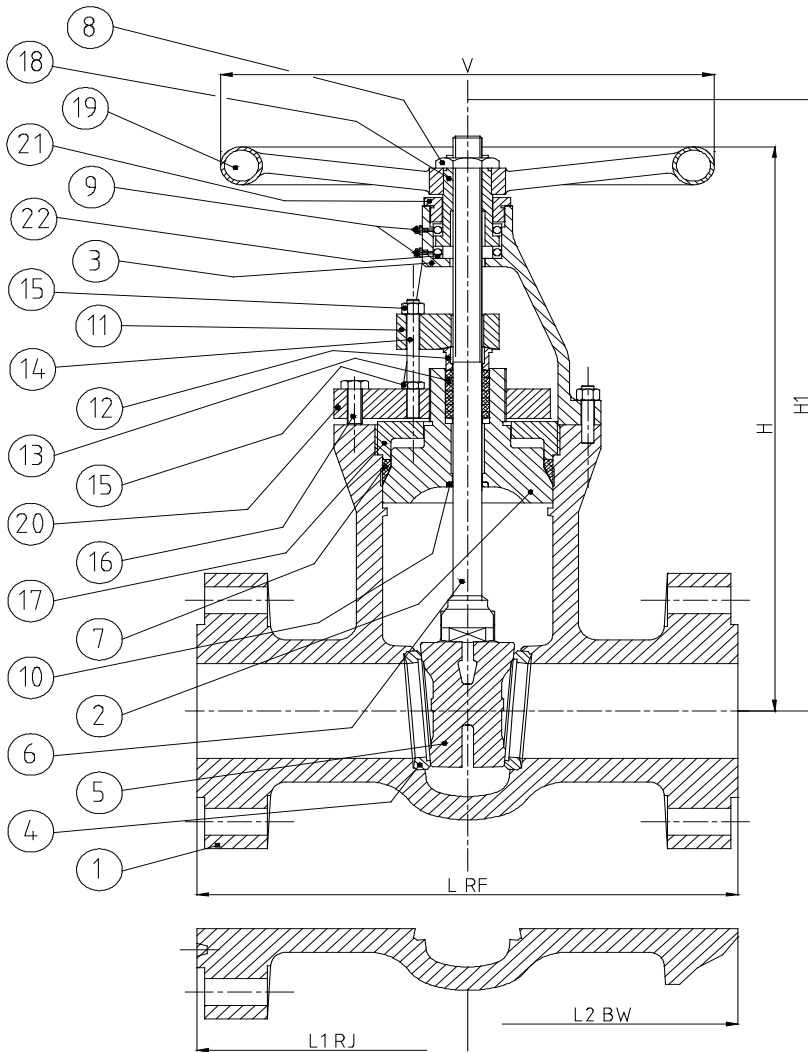




Art. 710 SARACINESCHE SERIE ANSI 2500 PRESSURE SEAL
 Gate Valves series ANSI 2500 Pressure Seal



DN	L RF	L1 RJ	L2 BW	H	H1	V
2"	17 3/4	17 7/8	17 3/4			
50	451	454	451			
2 1/2"	20,00	20 1/4	20,00			
65	508	514	508			
3"	22 3/4	23,00	22 3/4			
80	578	584	578			
4"	26 1/2	26 7/8	26 1/2			
100	673	682	673			
6"	36,00	36 1/2	36,00			
150	914	927	914			
8"	40 1/4	40 7/8	40 1/4			
200	1022	1038	1022			
10"	50,00	50 7/8	50,00			
250	1270	1292	1270			
12"	56,00	56 7/8	56,00			
300	1422	1444	1422			
14"						
350						
16"						
400						
18"						
450						
20"						
500						
24"						
600						
26"						
650						
28"						
700						
30"						
750						
36"						
900						
40"						
1000						
42"						
1050						
48"						
1200						
64"						
1600						

POS	DENOMINAZIONE - Part list	MATERIALI - Materials
1	CORPO Body	ASTM A216 WCB
2	CAPPELLO Bonnet	ASTM A182 F.6
3	CUFFIA Cover	ASTM A216 WCB
4	SEDI Seat rings	ASTM A182 F.6
5	CUNEO Wedge	ASTM A216 WCB
6	STELO Stem	ASTM A182 F.6
7	GUARNIZIONE Gasket	STAINLESS STEEL
8	GHIERA FERMA VOLANTINO Handweel	ASTM A105
9	INGRASSATORE Grease fittings	CARBON STEEL
10	CONTROTENUTA Back seat	ASTM A182 F.6
11	FLANGETTA Gland flange	ASTM A105
12	PREMISTOPPA Gland	ASTM A105
13	GUARNIZIONE Packing	GRAPHITE
14	TIRANTI PREMISTOPPA Bolt	ASTM A193 B7
15	DADI Nut	ASTM A194 2H
16	BULLONE Bolt	STEEL
17	GHIERA FILETTATA Threaded ring	ASTM A182 F.6
18	MADREVITE Yoke sleeve	ASTM B148 9A
19	VOLANTINO Handweel	CARBON STEEL
20	FLANGIA Flange	ASTM A105
21	GHIERA FERMA MADREVITE Yoke nut	ASTM A105
22	CUSCINETTI Bearing	STEEL
23		
24		
25		
26		