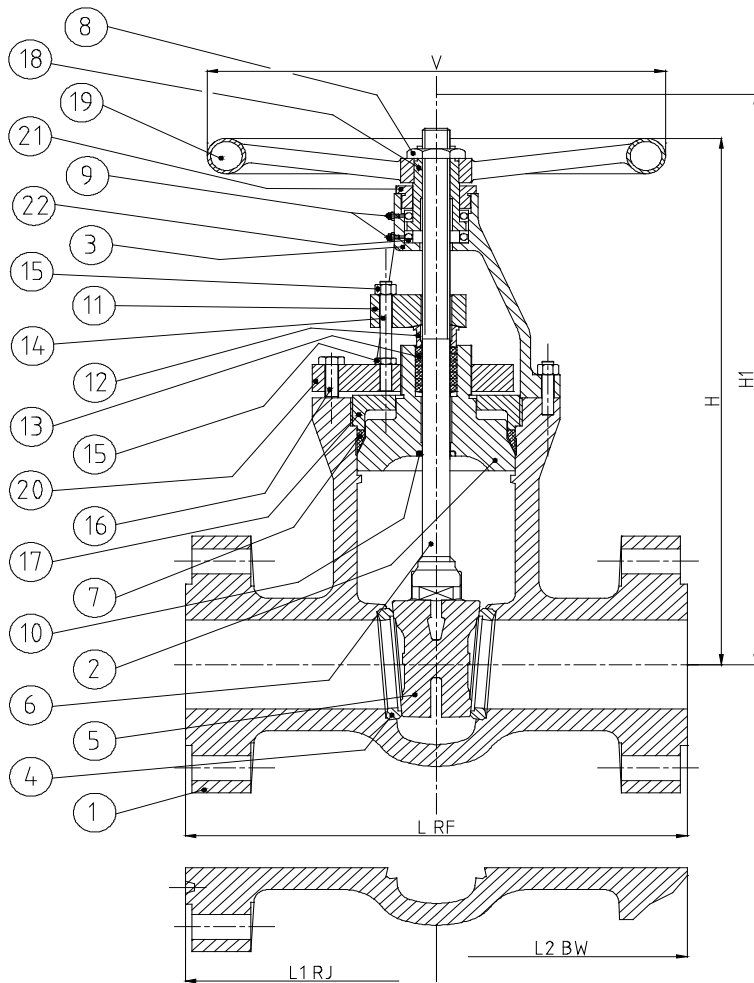




Art. 700 SARACINESCHE SERIE ANSI 900 PRESSURE SEAL
Gate Valves series ANSI 900 Pressure Seal



DN	L RF	L1 RJ	L2 BW	H	H1	V
2"	14 ½	14 ⅝	14 ½			12,00
50	368	371	368			300
2"½	16 ½	16 ⅝	16 ½			17,00
65	419	422	419			425
3"	15,00	15 ⅞	15,00	21,00	24½	17,00
80	381	384	381	530	620	425
4"	18,00	18 ⅞	18,00	26,00	31,00	20,00
100	457	460	457	660	780	500
6"	24,00	24 ⅞	24,00	34,00	40¼	23,00
150	610	613	610	860	1020	575
8"	29,00	29 ⅞	29,00	39¼	48½	26,00
200	737	740	737	1010	1230	650
10"	33,00	33 ⅞	33,00	47¼	57,00	28,00
250	838	841	838	1200	1450	700
12"	38,00	38 ⅞	38,00	55,00	69,00	34,00
300	965	968	965	1400	1750	850
14"	40 ½	40 ⅞	40 ½			38,00
350	1029	1038	350			950
16"	44 ½	44 ⅞	44 ½			52,00
400	1130	1140	1130			1300
18"	48,00	48 ½	48,00			56,00
450	1219	1232	1219			1400
20"	52,00	52 ½	52,00			60,00
500	1321	1334	1321			1500
24"	61,00	61 ¾	61,00	94½	118	60,00
600	1549	1568	1549	2400	3000	1500
26"						
650						
28"						
700						
30"						
750						
36"						
900						
40"						
1000						
42"						
1050						
48"						
1200						
64"						
1600						

POS	DENOMINAZIONE - Part list	MATERIALI - Materials
1	CORPO Body	ASTM A216 WCB
2	CAPPELLO Bonnet	ASTM A182 F.6
3	CUFFIA Cover	ASTM A216 WCB
4	SEDI Seat rings	ASTM A182 F.6
5	CUNEO Wedge	ASTM A216 WCB
6	STELO Stem	ASTM A182 F.6
7	GUARNIZIONE Gasket	STAINLESS STEEL
8	GHIERA FERMA VOLANTINO Handweel	ASTM A105
9	INGRASSATORE Grease fittings	CARBON STEEL
10	CONTROTENUTA Back seat	ASTM A182 F.6
11	FLANGETTA Gland flange	ASTM A105
12	PREMISTOPPA Gland	ASTM A105
13	GUARNIZIONE Packing	GRAPHITE
14	TIRANTI PREMISTOPPA Bolt	ASTM A193 B7
15	DADI Nut	ASTM A194 2H
16	BULLONE Bolt	STEEL
17	GHIERA FILETTATA Threaded ring	ASTM A182 F.6
18	MADREVITE Yoke sleeve	ASTM B148 9A
19	VOLANTINO Handweel	CARBON STEEL
20	FLANGIA Flange	ASTM A105
21	GHIERA FERMA MADREVITE Yoke nut	ASTM A105
22	CUSCINETTI Bearing	STEEL
23		
24		
25		
26		